

4

3

2

1

D

D

C

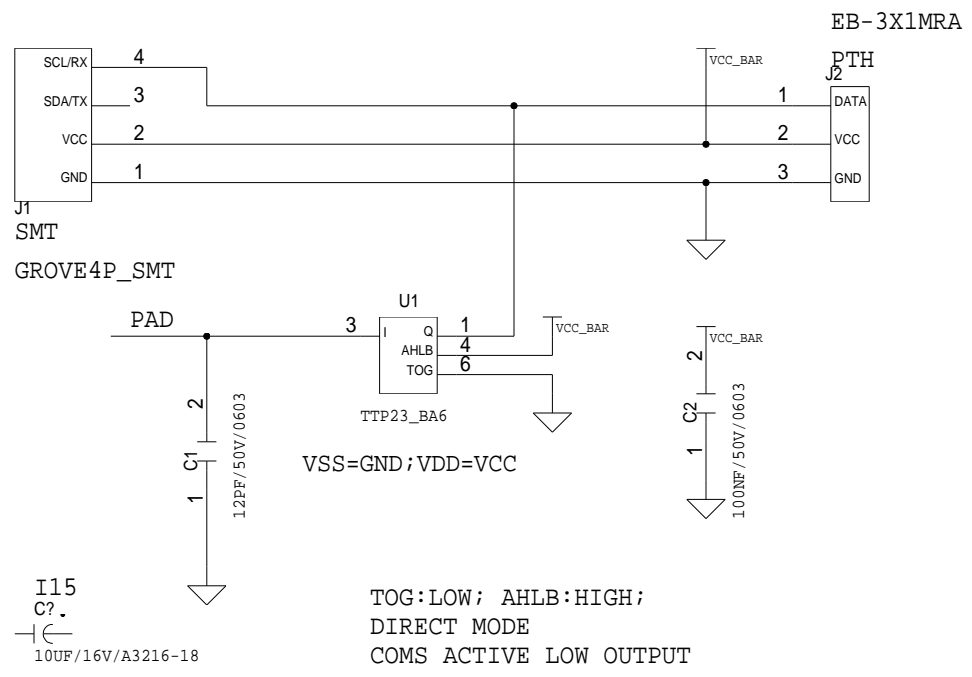
C

B

B

A

A



TITLE: TOUCH BUTTON V2.0	DATE: 2013/4/11
ENGINEER: STAN LEE	PAGE: 1

4

3

2

1