

1

2

3

4

5

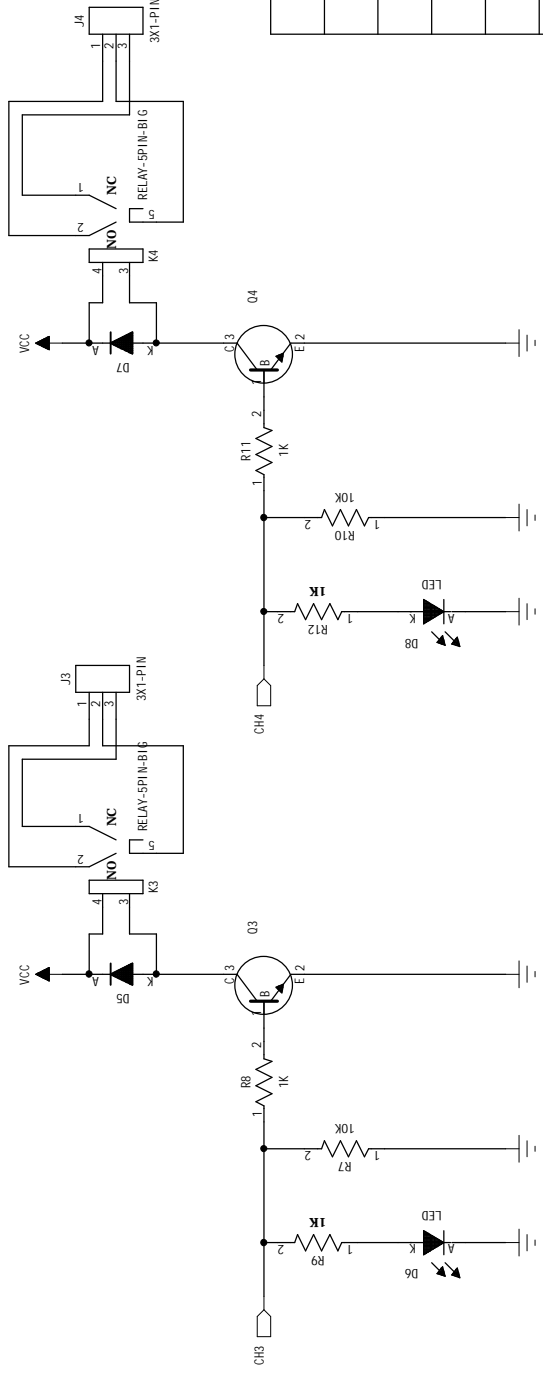
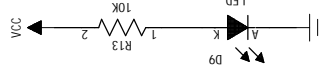
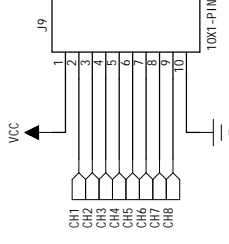
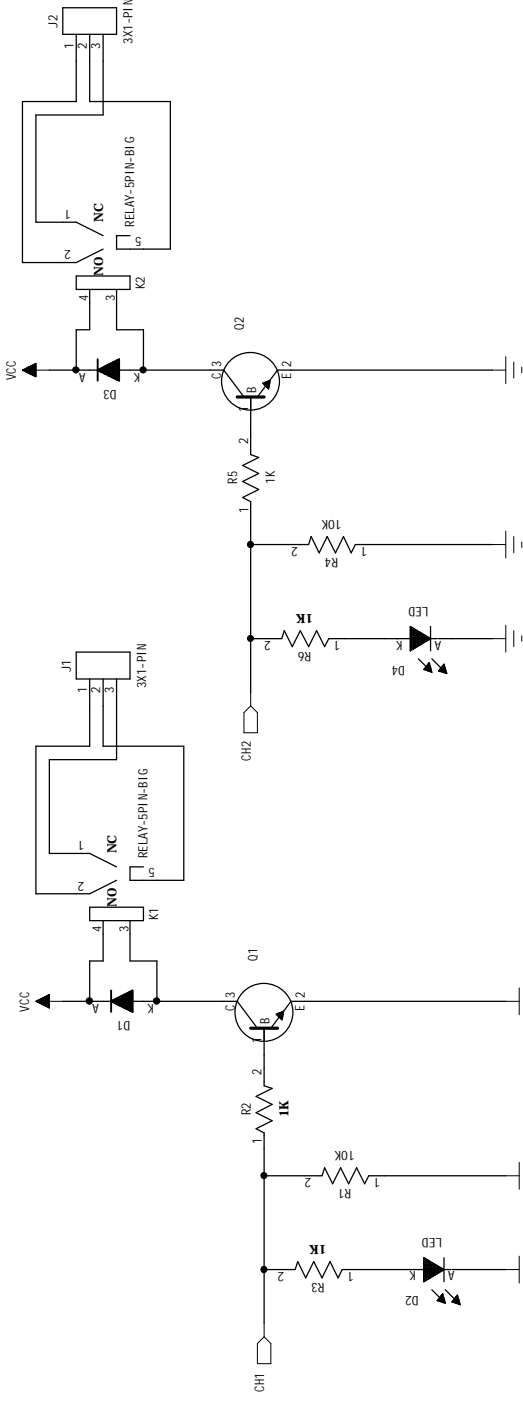
6

D

C

B

A



Company:	
Project Name:	Rev:
Sheet Name: <undefined>	
Designed by	
File Name: relay 8ch V10.sch: B	
Date :	Page Num: 1 of 2

D

C

B

A

1

2

3

4

5

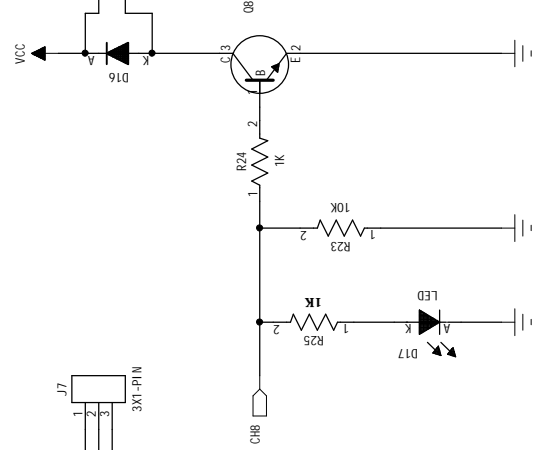
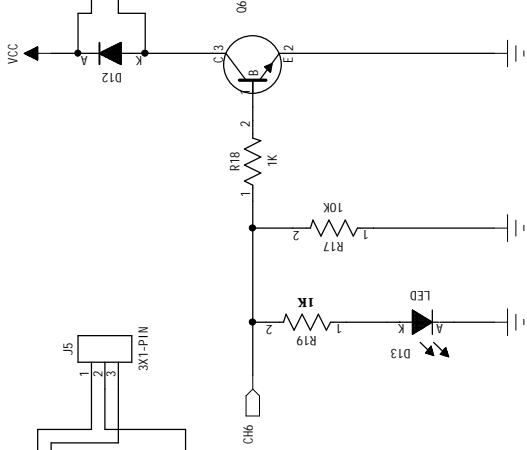
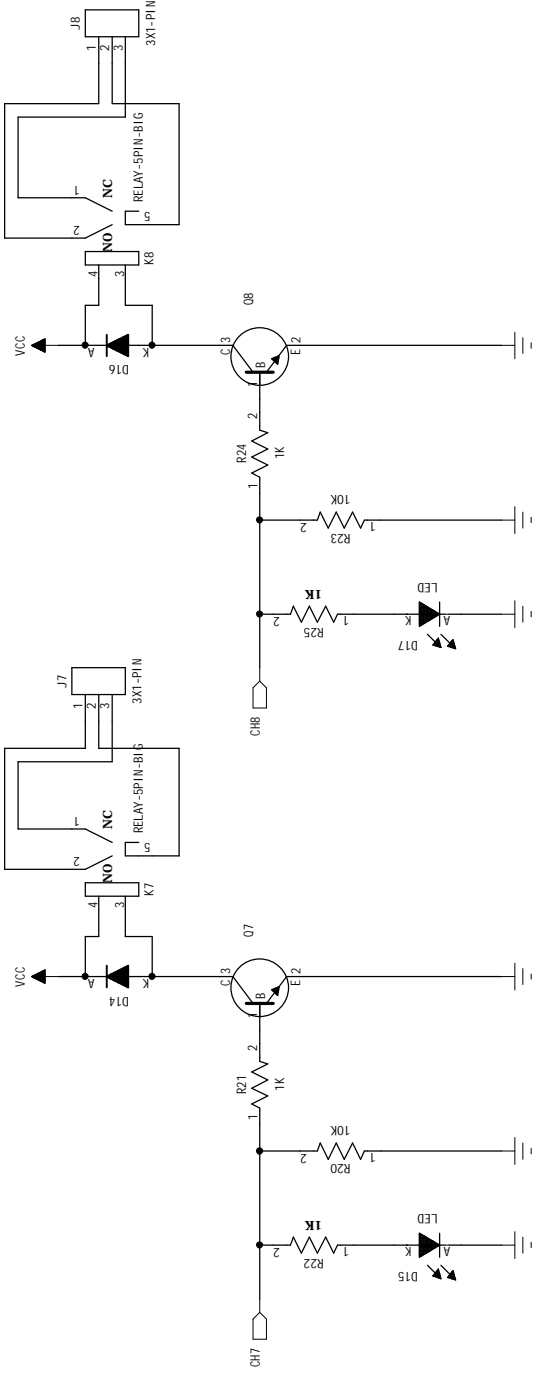
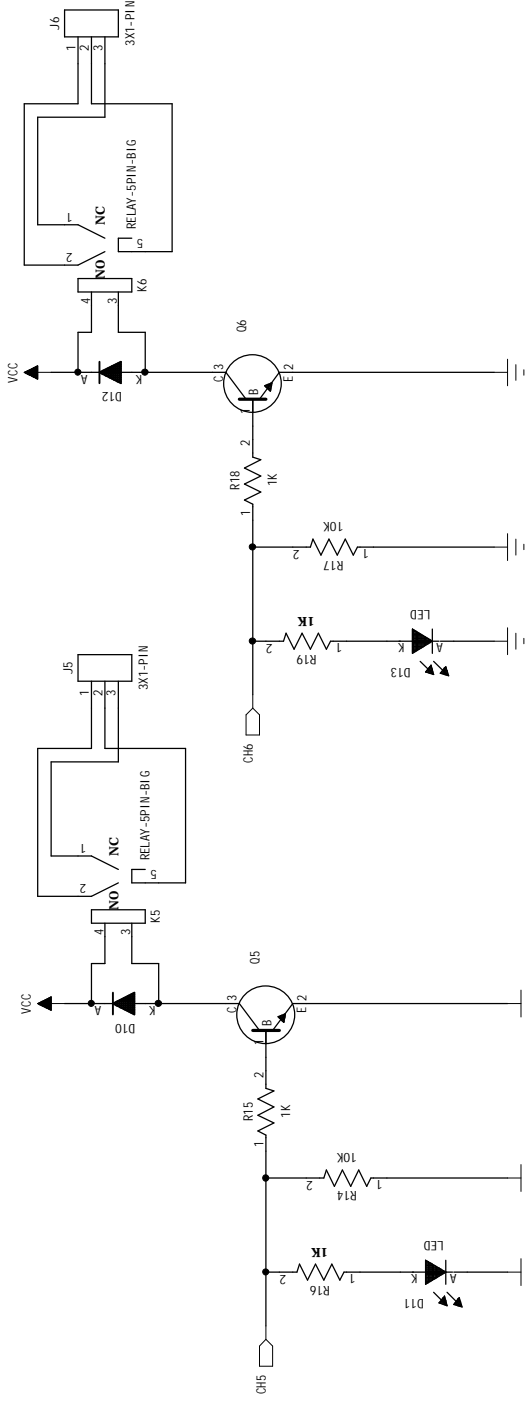
6

D

C

B

A



Company:

Project Name:

Rev:

Sheet Name: <undefined>

Designed by

File Name: relay 8ch V1

Package: B

Date :

Page Num: 2 of 2