

D

D

C

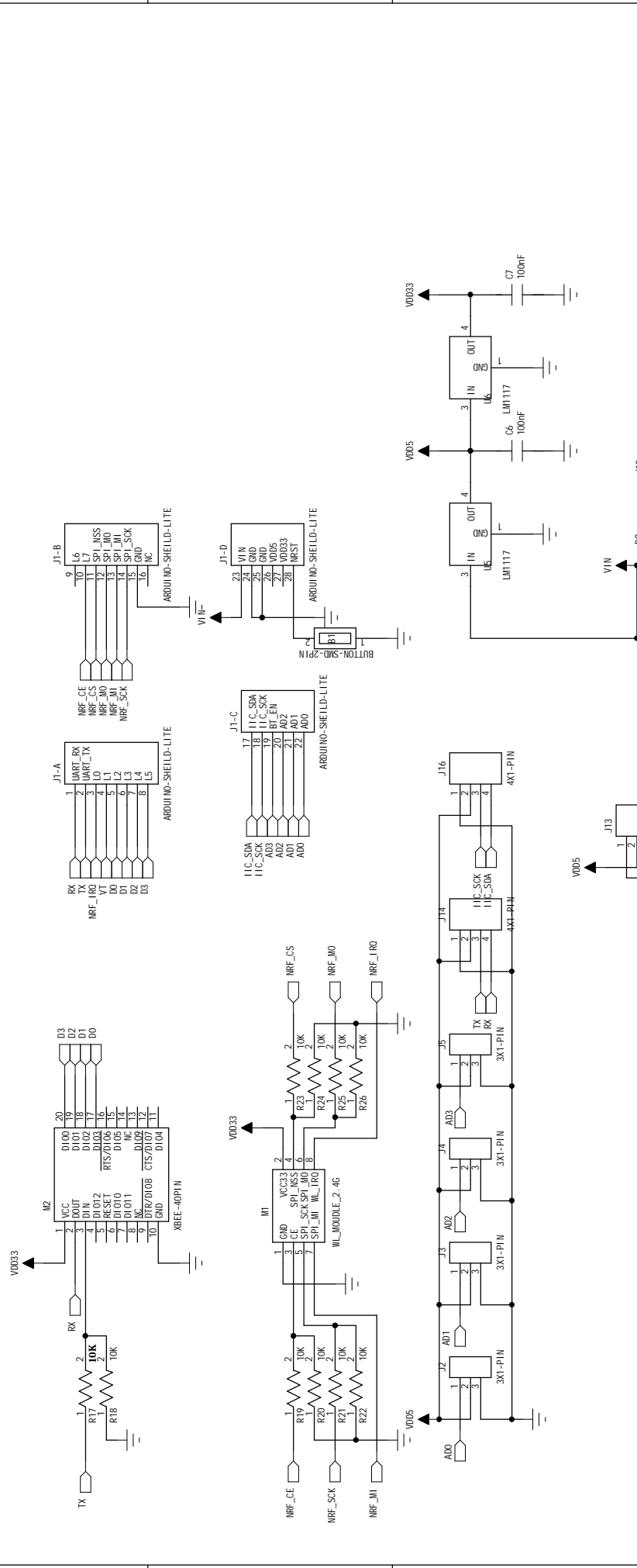
C

B

B

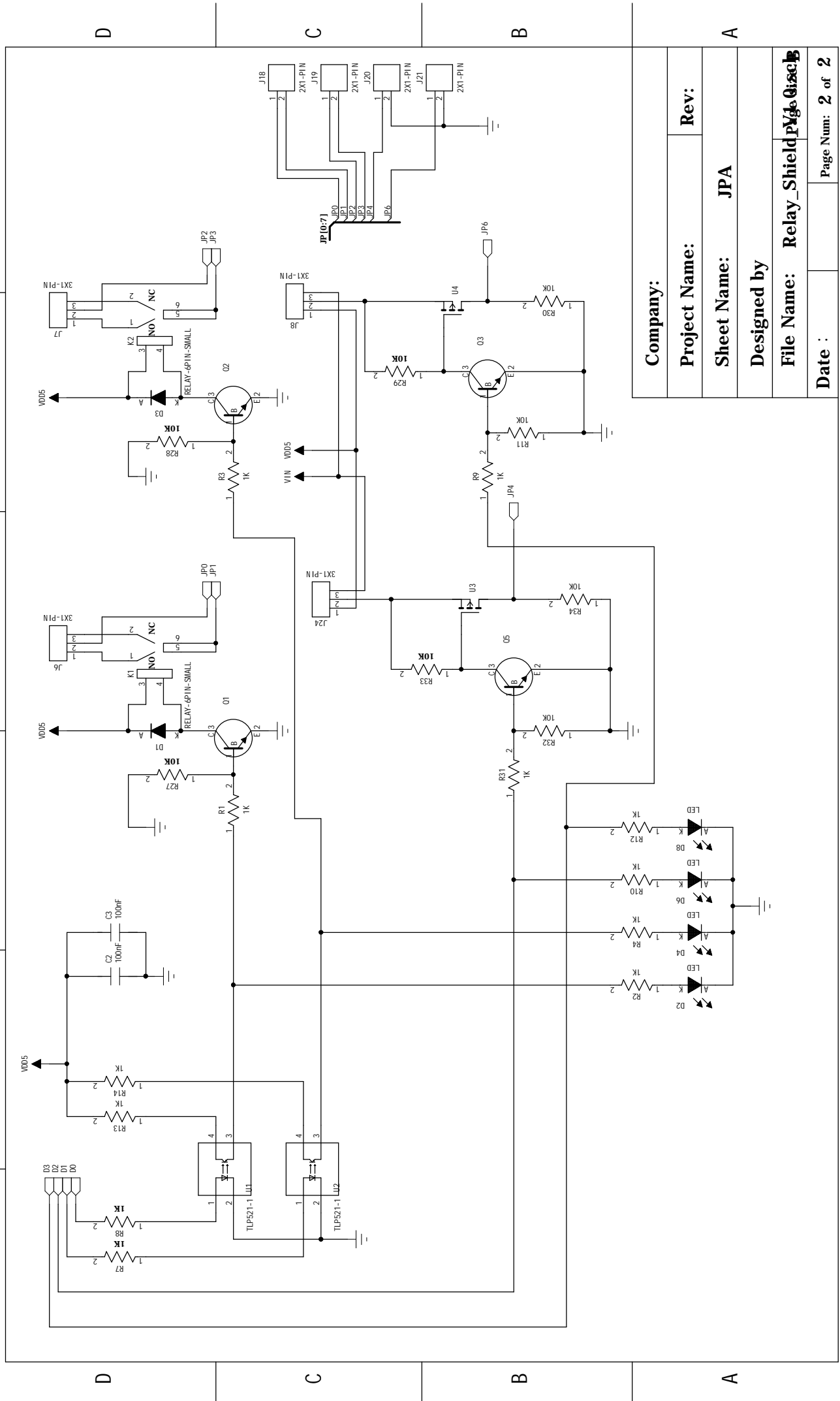
A

A



<b>Company:</b>	
<b>Project Name:</b>	<b>Rev:</b>
<b>Sheet Name: CONTROL</b>	
<b>Designed by</b>	
<b>File Name: Relay_Shield_V1.0_01a2b</b>	
<b>Date :</b>	<b>Page Num: 1 of 2</b>

1 2 3 4 5 6



<b>Company:</b>	
<b>Project Name:</b>	<b>Rev:</b>
<b>Sheet Name: JPA</b>	
<b>Designed by</b>	
<b>File Name: Relay_Shield</b>	<b>Page 2 of 2</b>
<b>Date :</b>	<b>Page Num: 2 of 2</b>