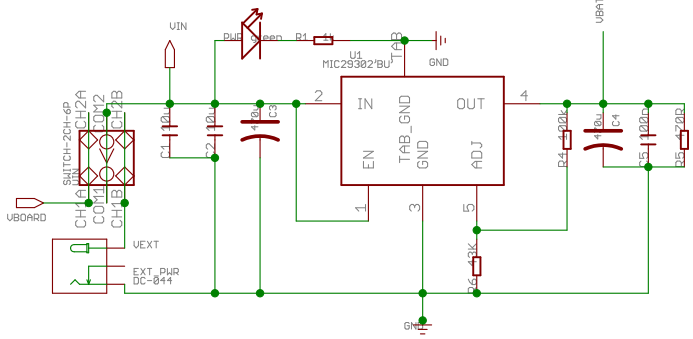
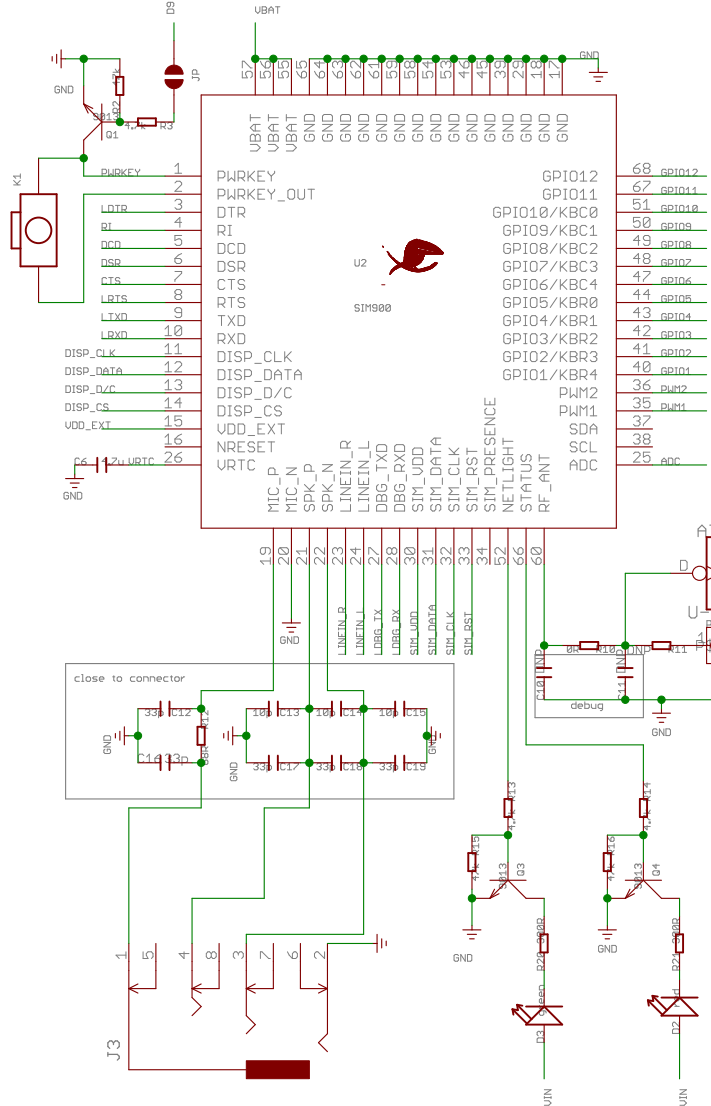


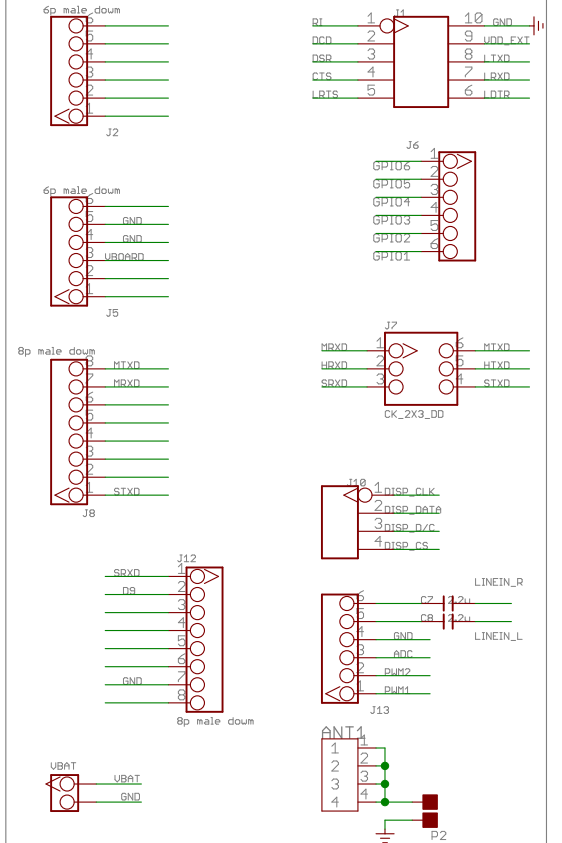
power supply



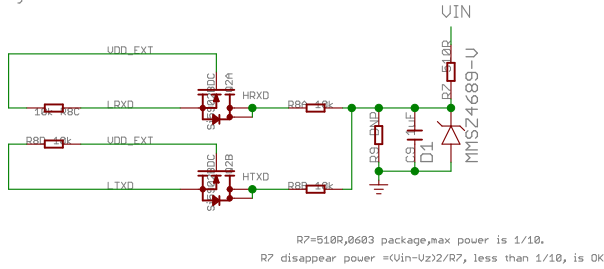
GPRS module



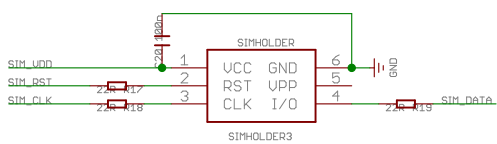
connector



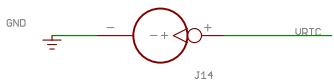
Uart voltage level shift



SIM card holder



RTC battery



elecrow

TITLE: GPRS/GSM Shield

Design:

Check:

Change Note:

Date: 2012/10/07

Vision: 1.0

Sheet: 1/1