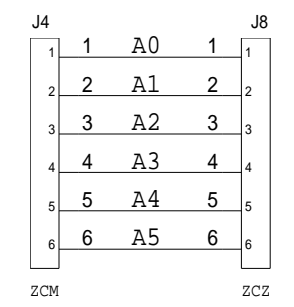
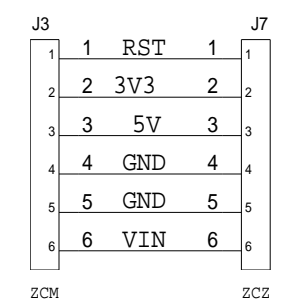
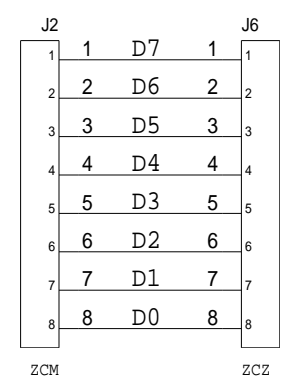
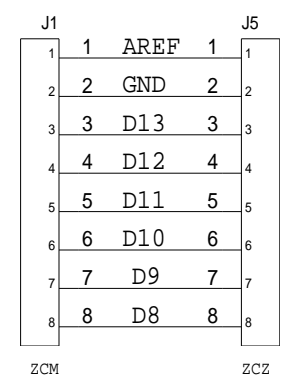


D

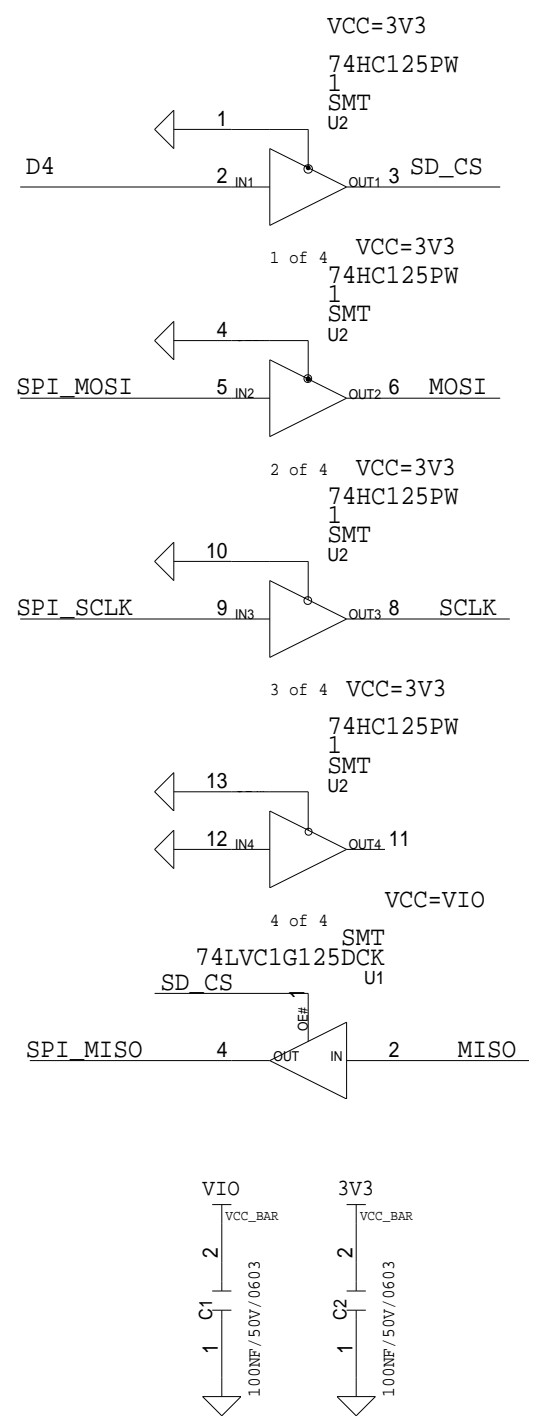
ARDUINO SOCKET



C

LEVEL SWITCHING CIRCUIT

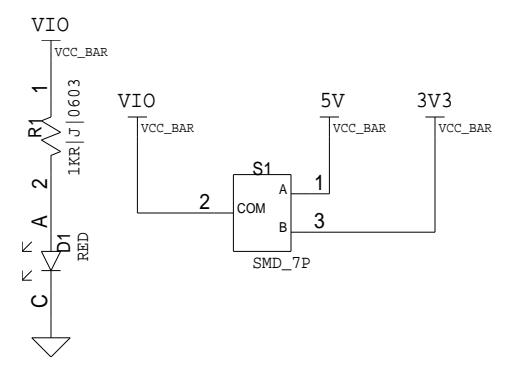
(COMPATIBLE WITH 5V AND 3.3V LEVEL BOARD)



B

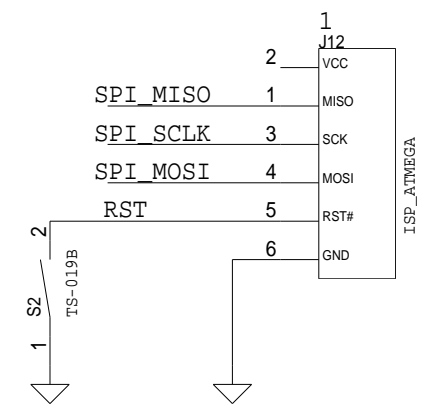
LEVEL SWITCH

(WHEN USE WITH 5V LEVEL BOARD LIKE UNO, SWITCH TO 5V; WHEN USE WITH 3.3V LEVEL BOARD LIKE DUE, SWITCH TO 3.3V)



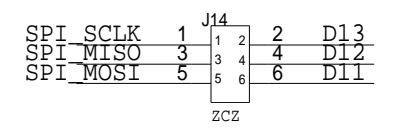
A

ISP SOCKET



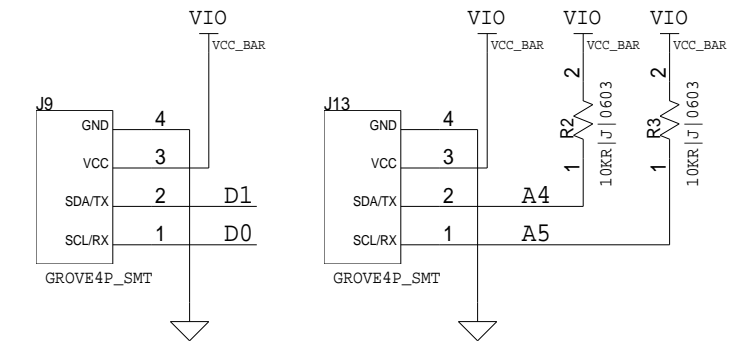
SPI JUMPER

(WHEN USE WITH BOARDS WHOSE SPI PINS ARE NOT ON D11~13, REMOVE THOSE JUMPERS)



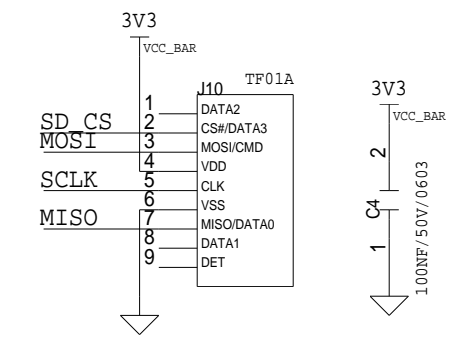
D

EB SOCKET



C

SD AND TF SOCKET



(VCC: 4; GND: 3, 6, 13, 14, 15, 16)
VCC=3V3

B

A

TITLE: _____ DATE: _____
ENGINEER: _____ PAGE: _____