

keystudio

Digital Buzzer Module



Introduction

Here is the simplest sound making module. You can use high/low level to drive it. Changing the frequency it buzzes can produce different sound. This module is widely used on your daily appliance, like PC, refrigerator, phones etc. And you can also create many interesting interactive project with this small but useful module.

Just try it!! You will find the electronic sound it creates so fascinating.

Specification

Working voltage: 3.3-5v

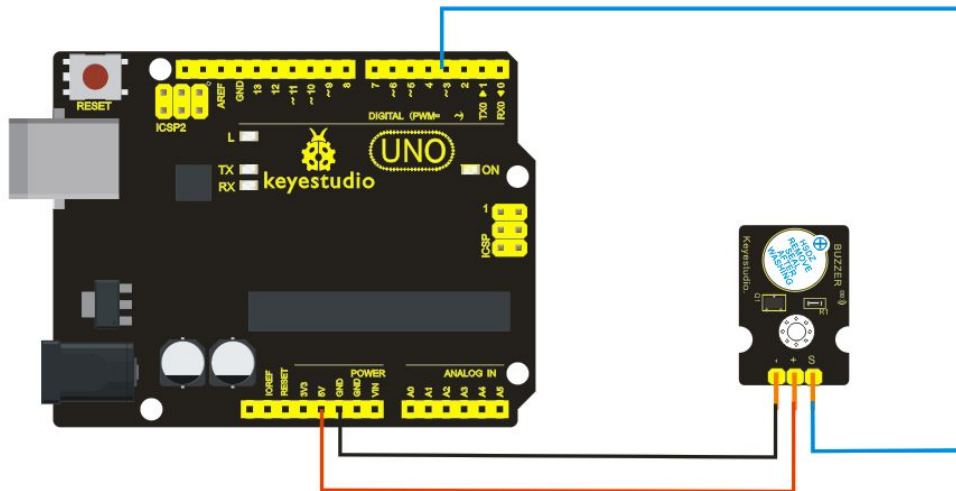
Interface type: digital

Size: 30*20mm

Weight: 4g

Connection Diagram

keyestudio



Sample Code

```
int buzzPin = 3; //Connect Buzzer on Digital Pin3
void setup()
{
  pinMode(buzzPin, OUTPUT);
}
void loop()
{
  digitalWrite(buzzPin, HIGH);
  delay(1);
  digitalWrite(buzzPin, LOW);
  delay(1);
}
```