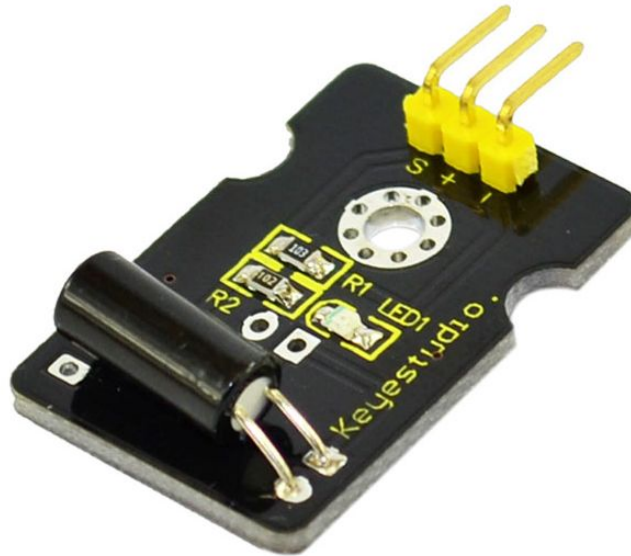


keyestudio

Digital Tilt Sensor



Introduction

Tilt Sensor is a digital tilt switch. It can be used as a simple tilt sensor. Simply plug it to our IO/Sensor shield; you can make amazing interactive projects. With dedicated sensor shield and Arduino, you can achieve interesting and interactive work.

Specification

Supply Voltage: 3.3V to 5V

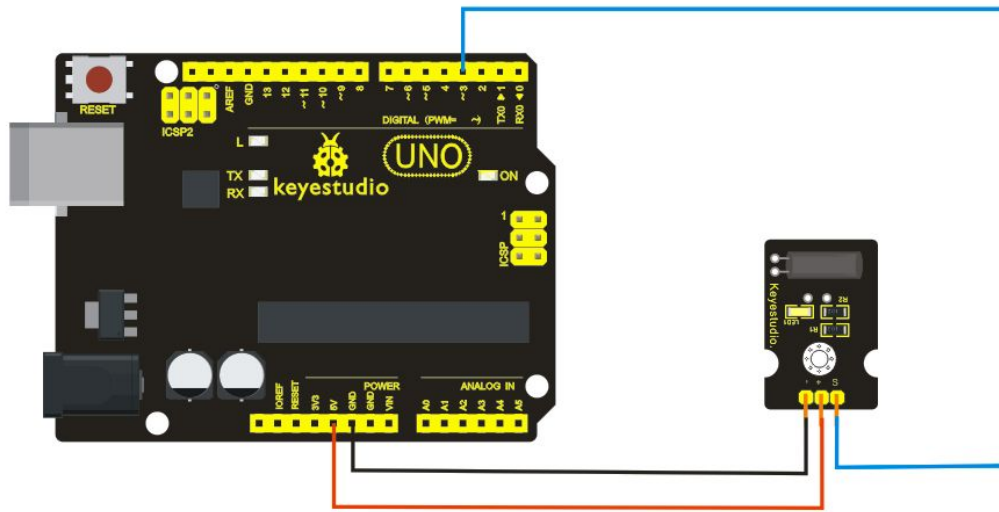
Interface: Digital

Size: 30*20mm

Weight: 3g

Connection Diagram

keystudio



Sample Code

```
int ledPin = 13;           // Connect LED to pin 13
int switcher = 3;        // Connect Tilt sensor to Pin3

void setup()
{
  pinMode(ledPin, OUTPUT); // Set digital pin 13 to output mode
  pinMode(switcher, INPUT); // Set digital pin 3 to input mode
}

void loop()
{
  if(digitalRead(switcher)==HIGH) //Read sensor value
  {
    digitalWrite(ledPin, HIGH); // Turn on LED when the sensor is tilted
  }
  else
  {
    digitalWrite(ledPin, LOW); // Turn off LED when the sensor is not triggered
  }
}
```